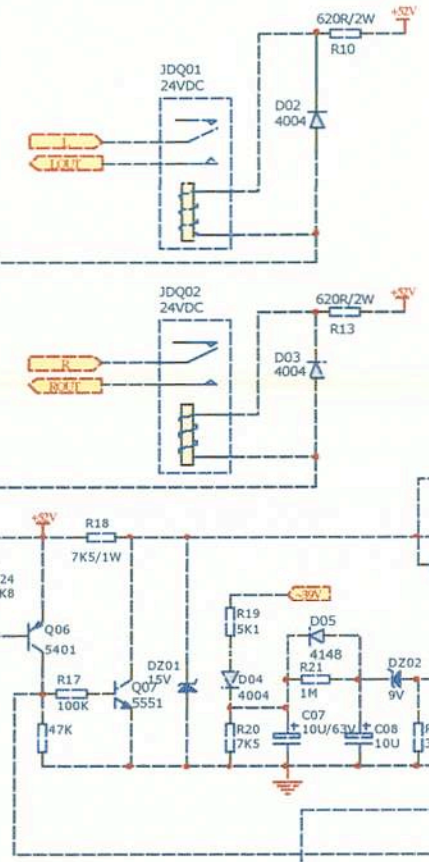
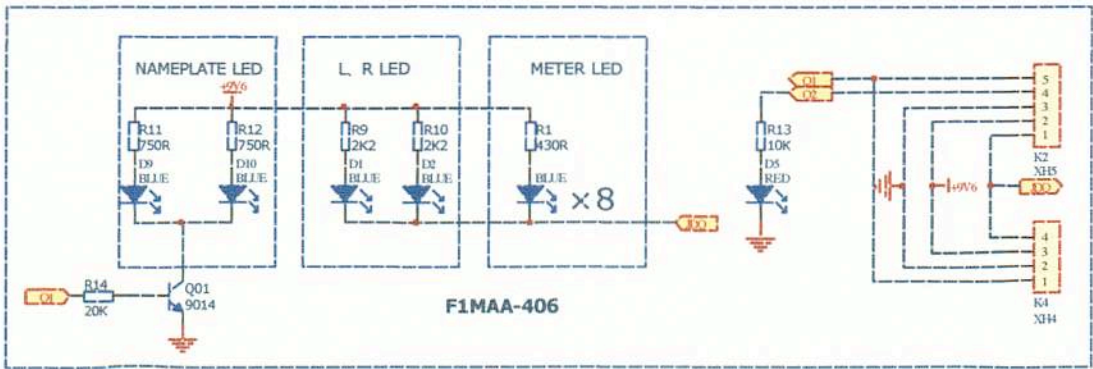


R01-R22  
D01-D05  
Q01-Q08  
C01-C09

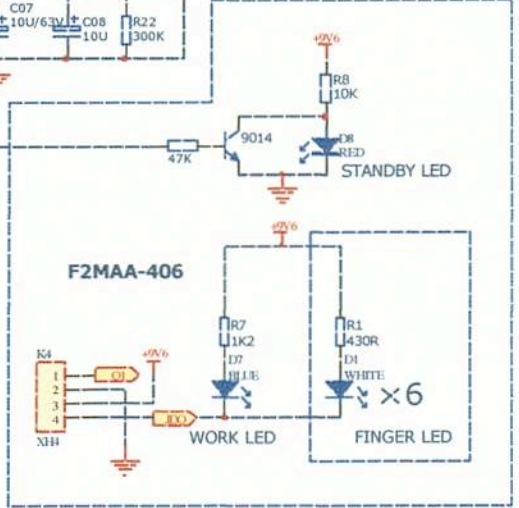
**OMAA-406**



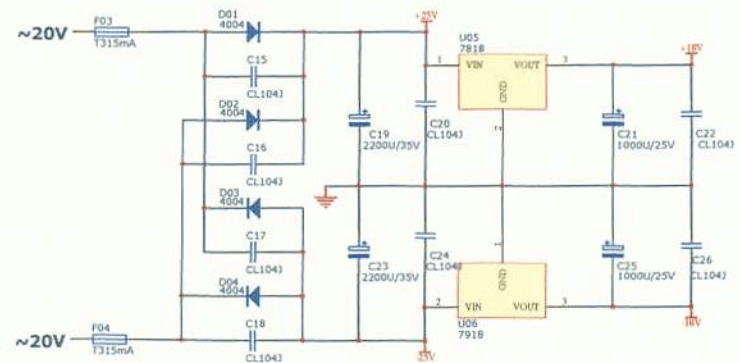
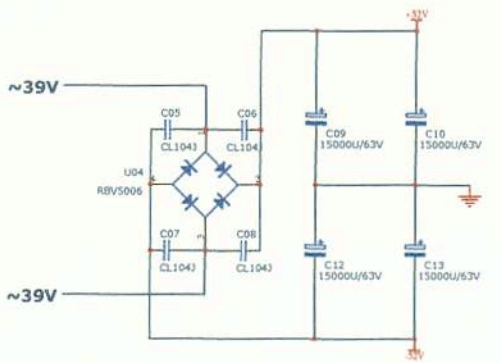
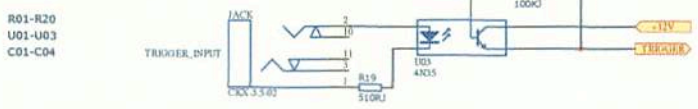
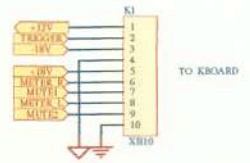
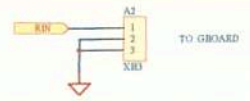
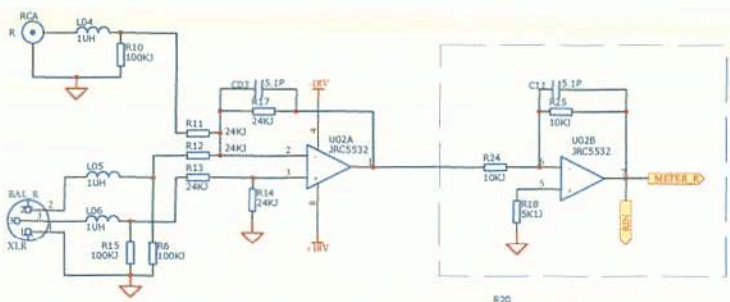
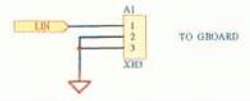
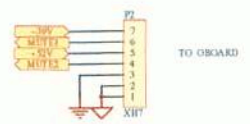
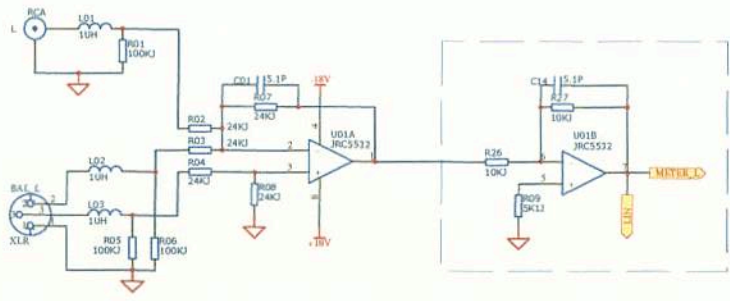
**F2MAA-406**



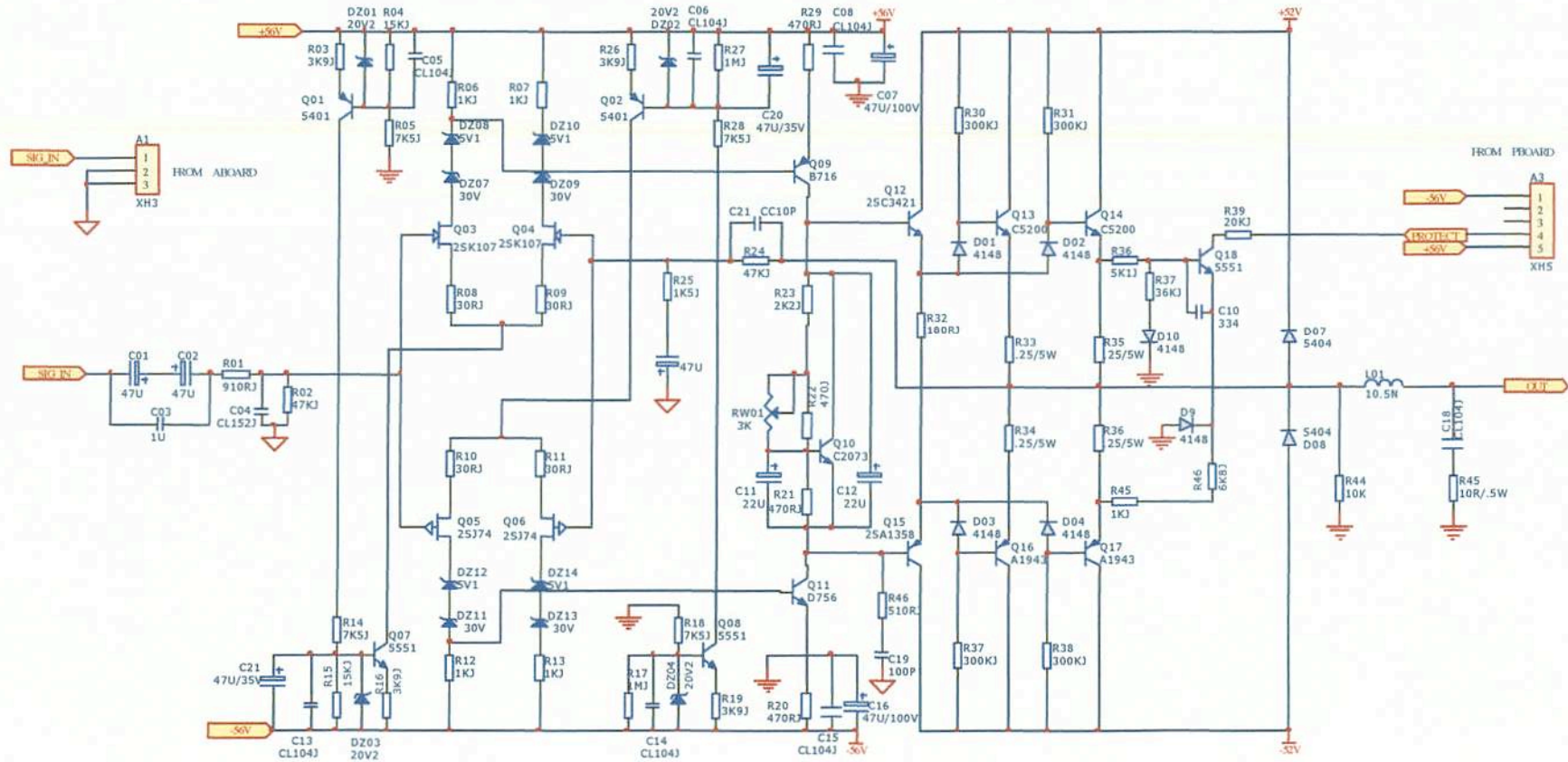
**F1MAA-406**



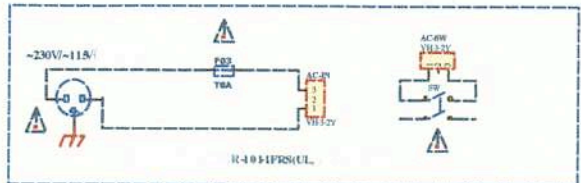
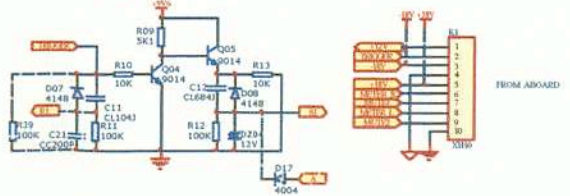
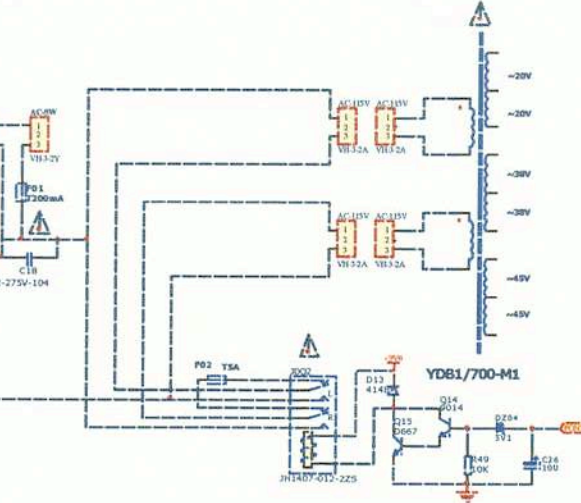
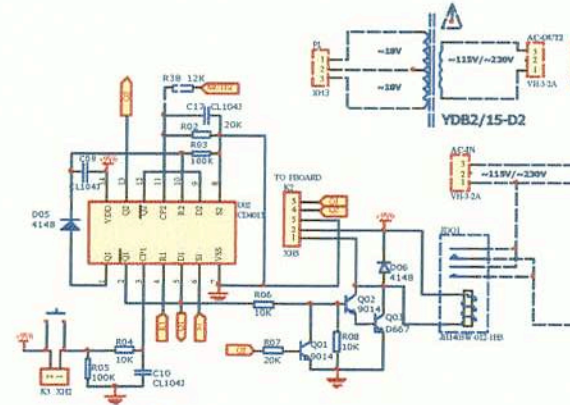
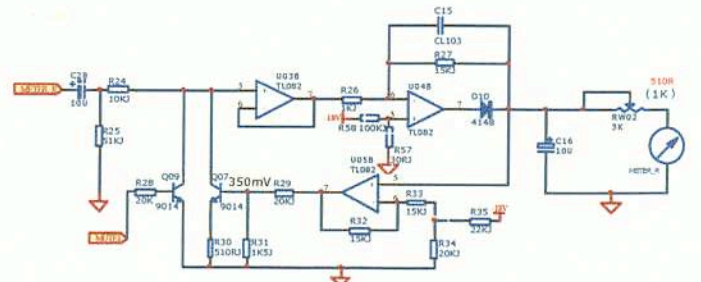
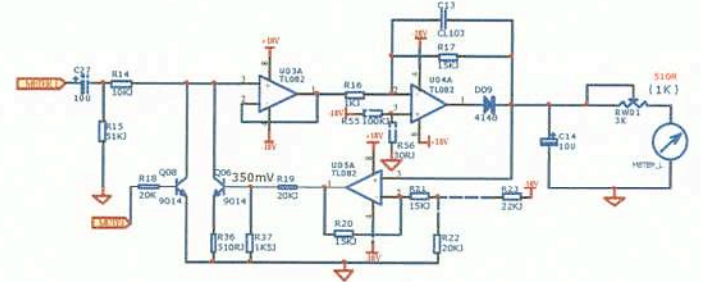
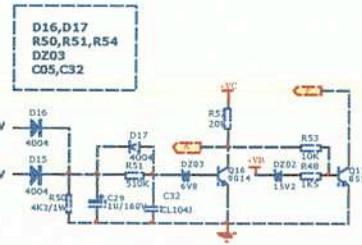
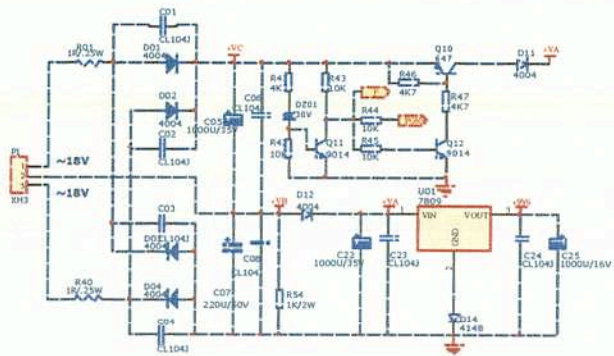
Title			<b>OMAA-406 &amp; FMAA-406</b>
Size	Number	Revision	
A4		<b>V1.0</b>	
Date:	1-Nov-2007	Sheet of	
File:	F:\4-c\12\J11-40V02.1.D01	Drawn By:	



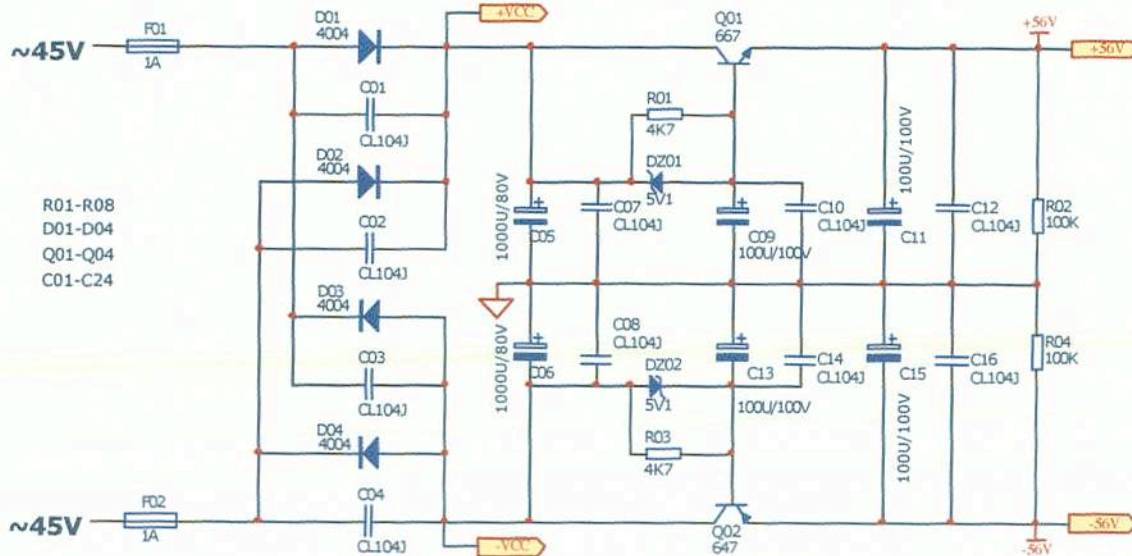
Title		<b>AMAA-406</b>	
Size	Number	Revision	<b>V2.0</b>
C			
Date	15 Feb 2006	Sheet of	
File			



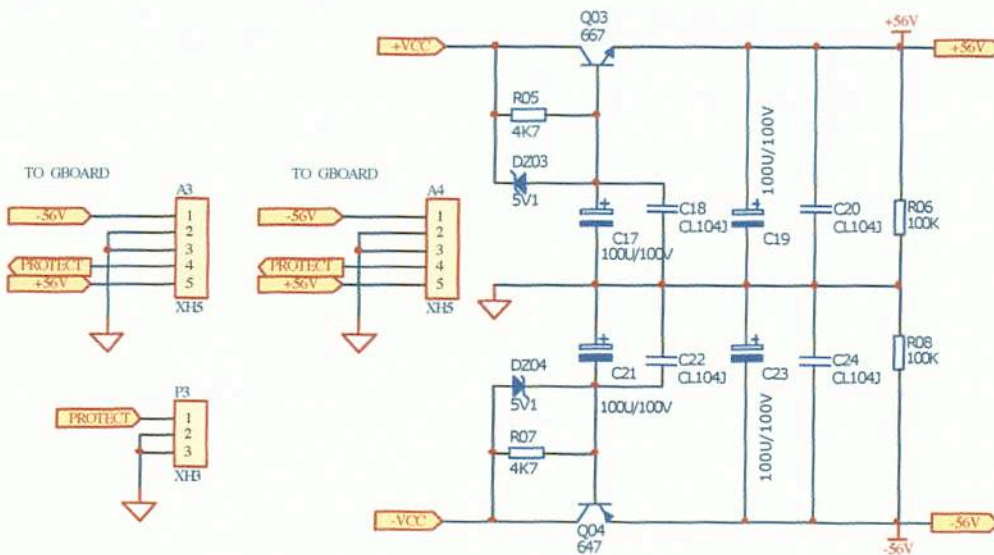
Title		
<b>GMAA-406</b>		
Size	Number	Revision
B		<b>V2.0</b>
Date	1-Nov-2007	Sheet of
File	E:\31-0102\GIB-400\02.DDB	Drawn by



Date			
<b>KMAA-405</b>			
Ver	Number	Revision	
A2		<b>V2.0</b>	
Rev	15/06/2011	1. Rev. of	
Rev	15/06/2011 (20110615)	1. Rev. of	



R01-R08  
D01-D04  
Q01-Q04  
C01-C24



Title			<b>PMAA-406</b>		
Size	Number	Revision		<b>V1.0</b>	
B					
Date:	1-Nov-2007		Sheet of		
File:	E:\al.e\BTE\GLOB_400\02.DDB		Drawn By:		